



Fire Alarm Stations

270 Series



Overview

Edwards 270 Series Non-Coded Fire Alarm Stations are sturdy, attractive, and designed for economical installation.

The station is available in the following operational and functional designs:

- **The 270 Series** provides a single action, break glass initiating station. It is available with normally open (N.O.), normally closed (N.C.) or combination N.O./N.C. contacts. The basic 270 Series have screw terminals for field connection. The 270A Series Manual Stations have 6 inch (150mm) wire leads.
- **The 270P Series** is a break glass, normally open pre-signal station. The pull of the lever sounds an alarm on all pre-signal indicating devices. Inserting a key and turning it will initiate a general evacuation alarm. Screw terminals are provided for field connection.

All non-coded stations are designed for either flush or surface mounting. For flush mounting a 4 inch standard North American square box with single gang plaster cover should be used. For surface mounting the 270 Series or 270P Series, use P-027193 Cast Box, P-039250 Steel Box, or Cat. No. 1291 Housing for weatherproof enclosure.

Standard Features

- Pull lever
- Simple positive operation
- Break glass
- Attractive, streamline design
- Less than 5 lb pull force complies with ADA
- Solid, die-cast metal construction



Detection & alarm since 1872

U.S.
T 888-378-2329
F 866-503-3996

Canada
Chubb Edwards
T 519 376 2430
F 519 376 7258

Southeast Asia
T : +65 6391 9300
F : +65 6391 9306

India
T : +91 80 4344 2000
F : +91 80 4344 2050

Australia
T +61 3 9239 1200
F +61 3 9239 1299

Europe
T +32 2 725 11 20
F +32 2 721 86 13

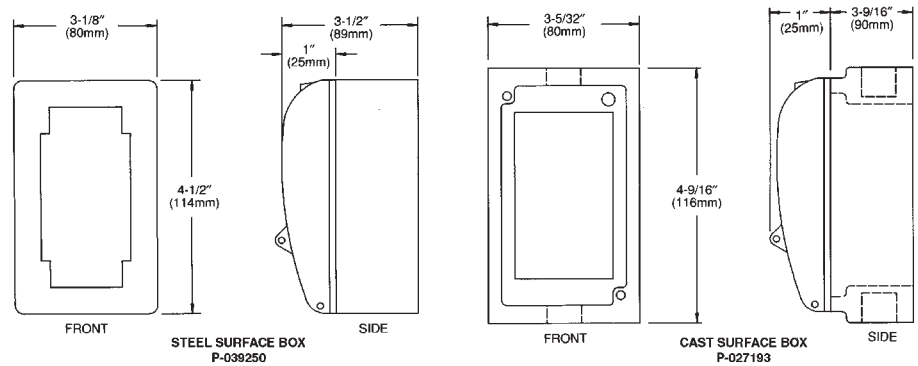
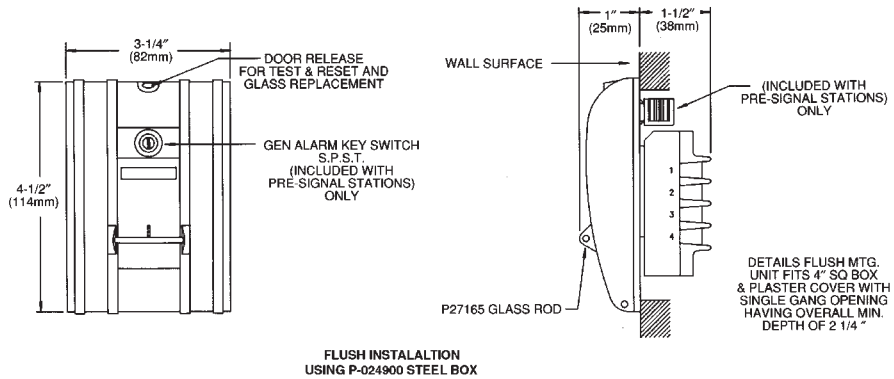
Latin America
T 305 593 4301
F 305 593 4300

utcfireandsecurity.com

© 2010 UTC Fire & Security.
All rights reserved.

WARNING: These devices will not operate without electrical power. As fires frequently cause power interruptions, we suggest you discuss further safeguards with your local fire protection specialist.

Mounting



Ordering Information

All models are fire alarm red with Aluminum Strips. They are marked "Pull in Case of Fire" on the pull handle.

Cat. No.	Marking (top of device)	Switch Contacts			Field Connections		Pre-Signal Pre-Signal
		Single Pole	Double Pole	Open Circuit	Screw Terminals	Wire Leads	
270-DPO	Fire Alarm		✓	✓	✓		
270-DPO-L	Local Alarm		✓	✓	✓		
270-SPO	Fire Alarm	✓		✓	✓		
270A-DPO	Fire Alarm		✓	✓		✓	
270A-SPO	Fire Alarm	✓		✓		✓	
270P-DPO	Fire Alarm		✓	✓	✓		✓
270P-SPO	Fire Alarm	✓		✓	✓		✓